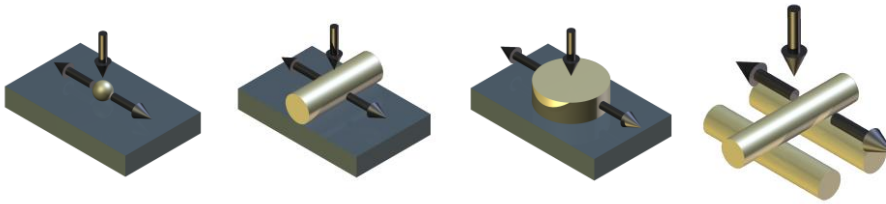
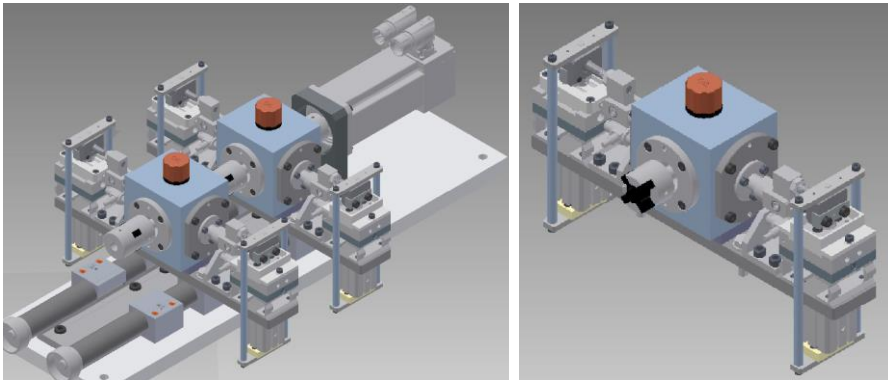


# HTP 010 Two/Four Station Short Stroke Reciprocating High Throughput Tribometer

---

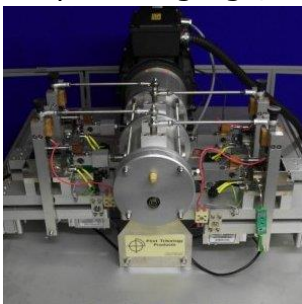


- Single function
- Multi-station
- Simple to Operate
- Control via PLC
- Data exported on USB stick



## Description

This instrument has its genesis in a number of established single and multi-station reciprocating rigs, including the TE 90 Two/Four Station Reciprocating Tribometer.



Load is applied by low friction pneumatic cylinders, connected in parallel, so the same load is applied to each test station. Pressure to the cylinders is manually controlled by means of a precision pressure regulator. Friction is measured at each test station by piezo transducer.

Test stations assemblies can be removed from the machine base for cleaning and test preparation.

The machine is designed to be bench-mounted, with installation footprint kept to a minimum. It is simple to operate, so requires minimal training. Control is implemented with a PLC, with inputs via touch-screen. Data is stored by the device and exported on USB stick.



## Specification

Motion	Reciprocating	
Load	5 to 100	N
Stroke	5	mm
Frequency	3 to 30	Hz
Temperature	Ambient to 200	°C
Test Stations	2 or 4	
<b>Manually Set Parameters</b>		
Load	Yes - pneumatic	
Frequency	Yes	
Temperature	Yes	
Test Duration	Yes	
<b>Data Logged Parameters</b>		
Load	Pressure transducer	
Temperature	Yes - each sample	
Friction Force	Yes - each sample	
Contact Potential	Yes - each sample	