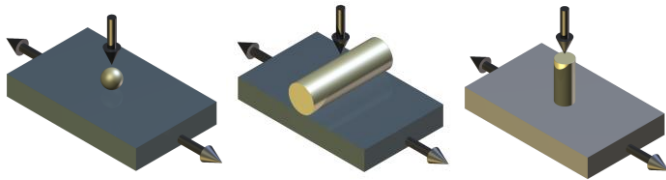
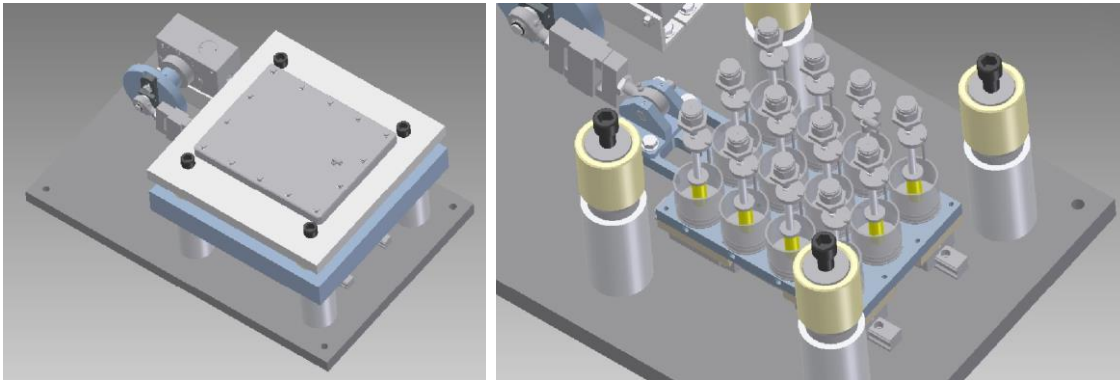


# HTP 080 Twelve Station Pin on Reciprocating Plate High Throughput Tribometer

---

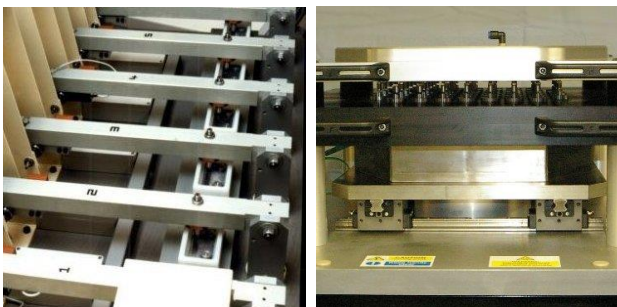


- Single function
- Multi-station
- Easy to Operate
- Control via PLC
- Data exported on USB stick



## Description

This machine is a long stroke pin on reciprocating plate machine combining features from two established products, the TE 87 Circular Translation Pin on Disc the TE 88 Multi-station Friction & Wear Tester.



Load is applied to each test station by means of pneumatic cylinders, connected in parallel. Pressure to the cylinders is manually controlled by means of a precision pressure regulator.

An in-line force transducer is included for sensing the total friction generated by the twelve test samples. Note that test stations can be disabled for friction experiments on fewer specimens, if required.

The machine is designed to be bench-mounted, with installation footprint kept to a minimum. It is simple to operate, so requires minimal training. Control is implemented with a PLC, with inputs via touch-screen. Data is stored by the device and exported on USB stick.



## Specification

Motion	Reciprocating	
Load	5 to 100	N
Stroke	25	mm
Frequency	1 to 3	Hz
Temperature	Ambient to 150	°C
Test Stations	12	
<b>Manually Set Parameters</b>		
Load	Yes - pneumatic	
Frequency	Yes	
Temperature	Yes	
Test Duration	Yes	
<b>Data Logged Parameters</b>		
Load	Pressure Transducer	
Temperature	Yes	
Friction Force	Sum total for all samples	